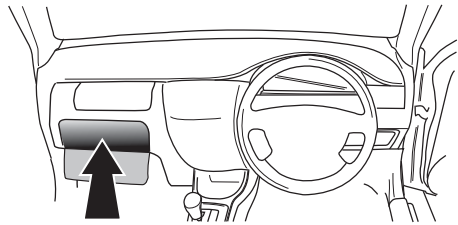
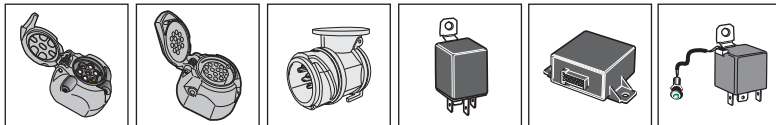


**! INFO !**

Do not charge the battery of the towing vehicle and/or towed vehicle directly via the socket.



**User guide**



**SPARE PARTS**

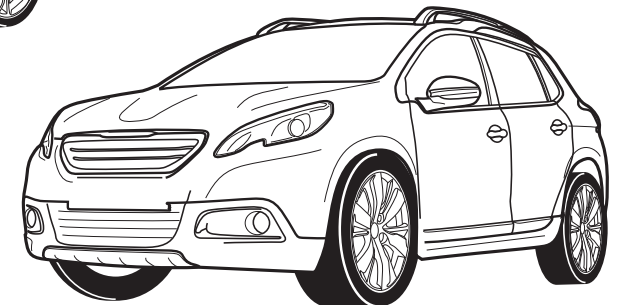
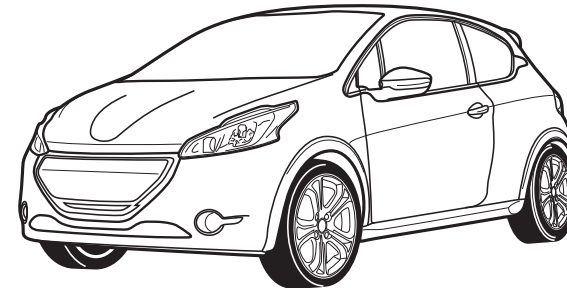
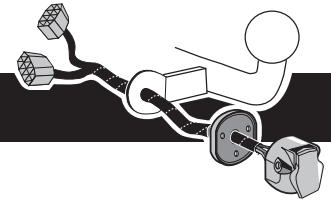
**[www.ecs-electronicsuk.co.uk](http://www.ecs-electronicsuk.co.uk)**

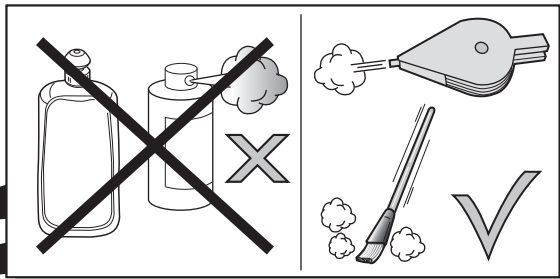
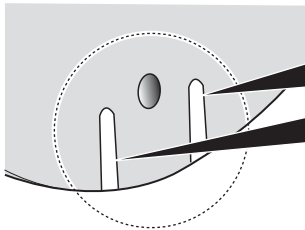
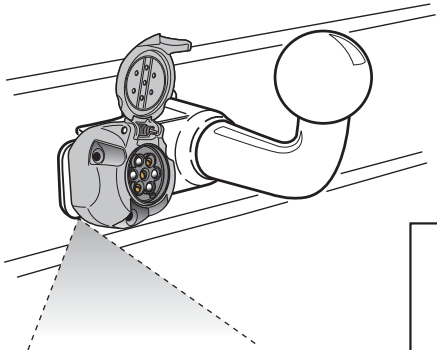
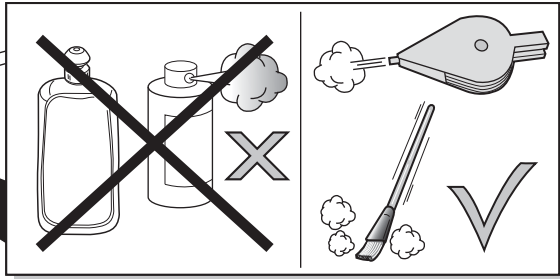
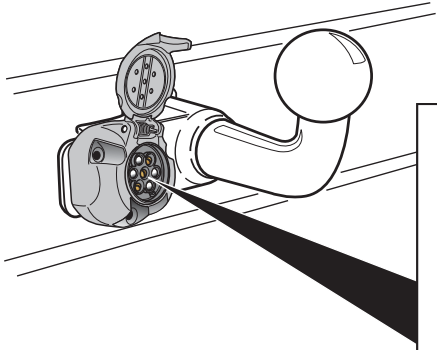
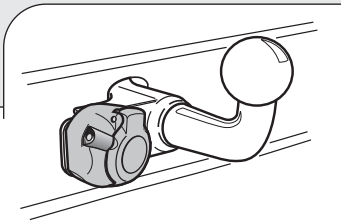


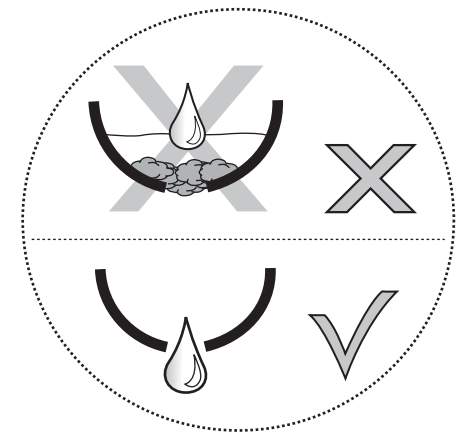
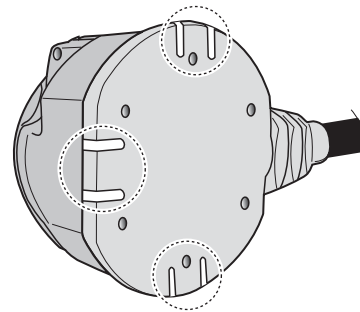
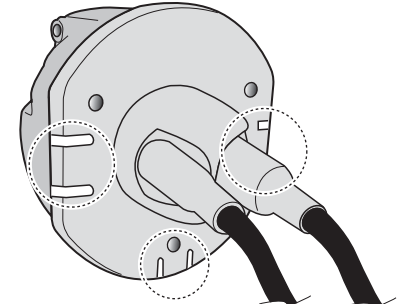
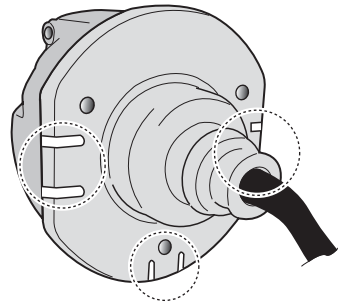
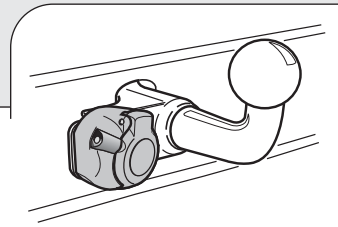
Partnr.: PE-064-B1U

**User Guide**

**Peugeot 208 04/2012 >> 09/2019**  
**Peugeot 2008 05/2013 >> 12/2019**





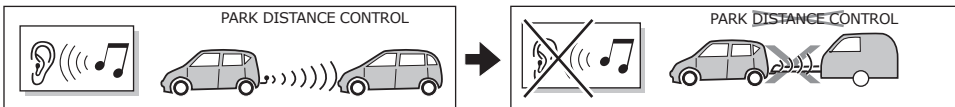


## SOCKET CONNECTION

DIN/ISO 1724	1/L	2	3/31	4/R	5/58-R	6/54	7/58-L	8
Pmax	21W	21W		21W	42W	3x21W	42W	
Colour	Yellow	Blue	White	Green	Brown	Red	Black	Grey



In a coupled trailer with working fog lamp, the fog lamp of the vehicle will be switched off, if applicable.



The wiring kit has a possibility to switch off any Park Distance Control in the case of a coupled trailer.

## CHANGING THE FUSE

